

WDA17

Infrared Sensor Exit Button (with Remoter)



Specifications

Model :	WDA17R (with remoter)
Input :	DC12V-24V
Contact Rating :	1A @ 36VDC
Output Contact :	NO / NC / COM
Mechanical Life :	500000 tests
Suitable for Door :	Hollow Door
Operating temp :	-20 °C ~ +55 °C (14-131F)



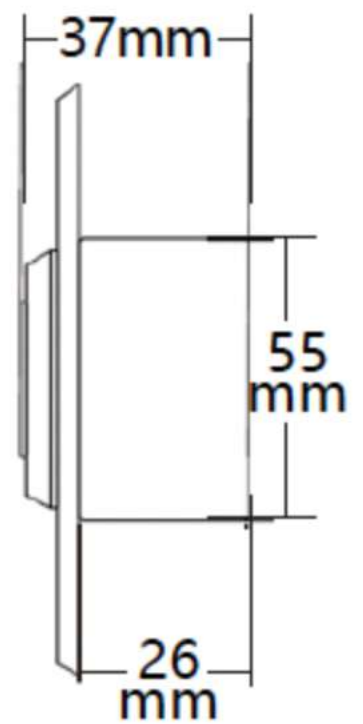
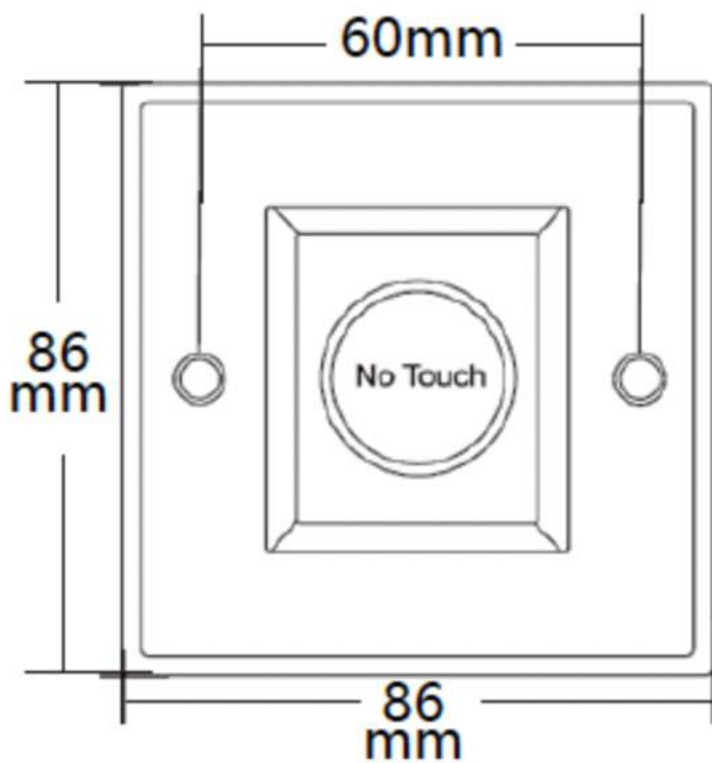
Suitable Humidity :

0-95% (relative humidity)

Detection range :

0.1 ~ 8 cm

Dimensions



WDLINK