

Fingerprint Access Control

User Manual



Please read the instructions carefully before use

1. Introduction

It supports fingerprints and EM RFID card. The performance has been greatly improved.

The product uses the precise electron circuit and good productive technology, which is the machine of fingerprint & card access. It is widely used in business organization, office, factory, housing district etc.

The product uses remote controller or Admin fingerprints for programming, support fingerprints and EM 125Khz card, easy to install and program.

2. Feature

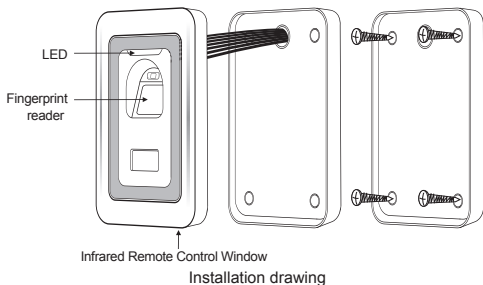
Feature	Description
Metal Shell/Plastic	Durable, anti-vandal
Waterproof Degree	IP65/IP68
Ultra-low Power Consumption	Long-lived, performance stable, standby current is less than 30mA
Touch Sensor activated	Fingerprint recognition is very fast
Capacity	200 fingerprints & 500 cards (1000 fingerprints & 2000 cards can be selected)
Used as a Card Reader	Can be used as a card reader with Wiegand26 output
Used as a Standalone Controller	Can connect external EM/Mifare/HID wiegand26 card reader

3. Installation

Drill the hole according to the size of the product and fix the bottom shell with the equipped screws. Thread the lead wire out of the outlet hole of the bottom shell, connect the lead wire according to the function required, and wrap the unused wires to avoid short circuit. After wire connected, fix the front shell to the bottom shell and turn the screws well, installation is finished.

(see figure below)

Note: After all wires are connected, please check carefully whether they are connected correctly, then turn on the electricity after confirmation.

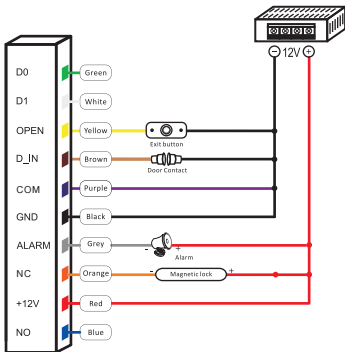


4. Wiring

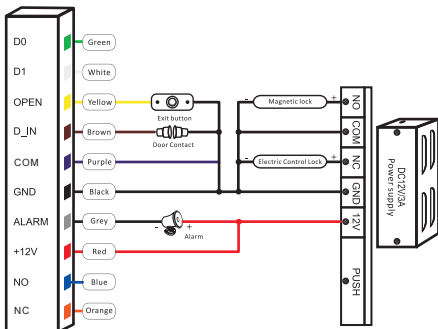
No.	Color	Function	Description
1	Green	D0	Wiegand Output D0
2	White	D1	Wiegand Output D1
3	Grey	Alarm	Alarm Negative
4	Yellow	Open	Request to Exit Button
5	Brown	D_IN	Door Contact
6	Red	+12V	(+) 12VDC Positive Regulated Power Input
7	Black	GND	(-) Negative Regulated Power Input
8	Blue	NO	Relay NO
9	Purple	COM	COM
10	Orange	NC	Relay NC
11	Pink	GND	One Terminal of Factory Default Setting
12	Pink	RESET	The other Terminal of Factory Default Setting

5. Connection Diagram

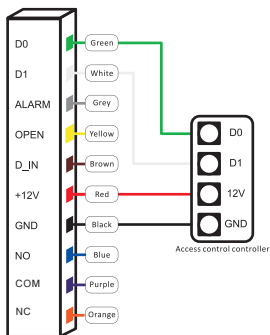
5.1 Common Power Supply



5.2 Special Power Supply



5.3 Used as a Card Reader



6. Reset to Factory Default

If the device has pink wires, power off, pink wire connects pink wire, then power on, take apart it until hearing short beeps twice.

If not, power off, press the RESET key (SW14) continuously on the PCB, then power on, release it until hearing short beeps twice.

The LED turns orange, then read any two EM cards, the first one is Admin Add Card, the second one is Admin Delete Card, old Admin cards are covered by new one, or without setting Admin cards within 10 seconds, then the LED turns red flash, it means factory default setting is successful.

Remark: Reset to factory default setting, the users' information enrolled are still retained.

7. Admin Operation

7.1 Enter into Programming Mode

Press * Admin Code # Factory default: 888888

Remark: All of steps below(7.2-7.9) must be done after entering into programming mode.

7.2 Revise Admin Code

Press 0 New Admin Code # New Admin Code #

Remark: Admin code is 6~8 digital No.

7.3 Add Users

7.3.1 Add Users Continuously

Press 1 User Fingerprint twice # or card # or the Card No (8 digit) # ... #

Remark: 200 fingerprint users, ID is 3-200, 500 card users, ID is 1001-1500, ID is produced automatically and automatic accumulation.

Note: Select 1000 fingerprints & 2000 cards, Fingerprint user ID is 3~1000, Card user ID is 1001~3000, ID is produced automatically and automatic accumulation.

7.3.2 Add Users by Appointed ID No

Press 1 ID No # User Fingerprint twice # or card # or Card No (8 digit) # ... #

Remark: ID 1 is Admin Add Fingerprint, ID 2 is Admin Delete Fingerprint, pressing # in the process of operating means confirmation, the final # means closing setting mode, pressing * means exiting programme mode.

7.3.3 Add Users by Admin Fingerprint or Admin Card

Press Admin Add Fingerprint or Admin Add Card , 1st User Fingerprint Twice 2nd User Fingerprint Twice or 1st card 2nd card , Admin Add Fingerprint or Admin Add Card , exit programme mode.

7.4 Delete Users

7.4.1 Delete Users by Fingerprint/Card/Card No

Press 2 User Fingerprint twice # or card # or the Card No (8 digit) # ... #

7.4.2 Delete Users by Appointed ID No

Press 2 ID No 1 # ID No 2 # ... #

7.4.3 Delete All Users

Press 20000 #

Remark: All of fingerprints and user will be deleted, but Admin Card won't be deleted, please use it prudently.

7.4.4 Delete Users by Admin Fingerprint or Admin Card

Press Admin Delete Fingerprint or Admin Delete Card, 1st User Fingerprint Twice 2nd User Fingerprint Twice ... 1st card 2nd card ... Admin Delete Fingerprint or Admin Delete Card , exit programme mode.

7.5 Set Facility Code

Press 3 0~255 #

Remark: If used as a card reader, please set it. Facility code and ID No make up virtual card No, data will be transmitted by wiegand26 when inputting fingerprint. For example, if facility code is 255, fingerprint ID No is 3, then virtual card No is 255,00003. The function only applies to ID No of simulate 8 digit decimalism, and the virtual card No is displayed on the machine with wiegand26 format.

7.6 Set Door Relay Time

Press 5 0~99s # Factory default: 5 seconds

7.7 Set Alarm Time

Press 9 0~3m # Factory default: 1 minute

7.8 Set Door Open Detection

7.8.1 Disable the function (Factory default setting)

Press 6 0 #

7.8.2 Enable the function

Press 6 1 #

When enable this function

7.8.2.1 If open the door normally, but don't close it after 1 minute, the inside Buzzer will alarm automatically, the alarm will stop after closing the door.

7.8.2.2 If the door is opened forcibly, or the door isn't opened within 120 seconds after lock is released, the inside Buzzer and outside alarm will be activated.

7.9 Set Security Mode

7.9.1 Normal Mode(Factory default setting)

Press **7 0 #**

7.9.2 Locked Mode

Press **7 1 #**

The device will be locked for 10 minutes if input 10 times invalid fingerprints or cards continuously within 10 minutes.

7.9.3 Alarm Mode

Press **7 2 #**

Inside beep and outside alarm will be activated if input 10 times invalid fingerprints or cards continuously within 10 minutes.

8. User Operation

8.1 Open the Door by Fingerprint

Press **Valid User Fingerprint** to open the door.

8.2 Open the Door by Card

Read **Valid User card** to open the door.

8.3 Remove Alarm

Press **Valid User Fingerprint or Card** or **Admin Fingerprint or Card** or **Admin Code #**, then alarm is removed.

9. Sound and Light Indication

Operation Status	LED Color	Fingerprint Sensor	Buzzer
Reset to Factory Default setting	Orange	Off	Short Ring twice
Sleeping Mode	Red Slow	Off	
Stand by	Red Slow	On	
Valid Keys			Long Ring once
Enter into Programming Mode	Red	Off	Long Ring once
Exit Programming Mode	Red Slow	On	Long Ring once
Wrong Operation			Short Ring 3 times
Open the Door	Green	Off	Long Ring once
Alarm	Red Quick	Off	Alarm

10. Technical Specification

Operation Voltage	DC+12V±10%
Idle Current	≤20mA
Standby Current	≤80mA
Card Reading Distance	≥2cm
Operating Temperature	-20°C ~ +50°C
Operating Humidity	20%RH-95%RH
Resolution	450 DPI
Fingerprint Input Time	<1S
Identification Time	<1S
FAR	<0.0000256%
FRR	<0.0198%
Structure	Zinc Alloy/Plastic

11. Packing list

Article	Model	Quantity	Remark
Fingerprint Access Control		1	
Infrared Remote Control		1	
Admin Card		2	Admin Add Card &Delete Card
User Manual		1	
Security Screws ($\Phi 3 \times 7.5\text{mm}$)		1	To fix the device to the back cover
Special Screw Driver	$\Phi 20\text{mm} \times 60\text{mm}$	1	
Self tapping screws	$\Phi 4\text{mm} \times 25\text{mm}$	4	Used for fixing
Pastern stopper	$\Phi 6\text{mm} \times 28\text{mm}$	4	Used for fixing