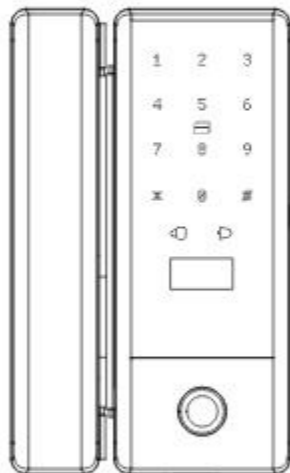


SMART LOCK FOR GLASS DOOR USER MANUAL



Product Features

Design: fashionable and simple appearance, elegant and unique design, 0.96-inch screen display, real voice navigation, color diversity.

Shell material: products using high-strength environmental protection ABS plastic, aluminum, stainless steel, more robust and durable.

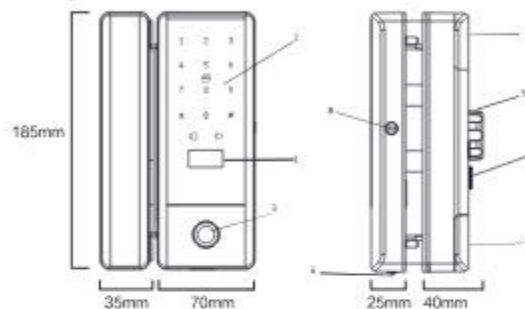
Stable motor: the use of big brand brushless stepper motor, low noise, low power consumption, torque, long life characteristics, built-in motor overload protection function, effective protection from damage to the motor.

Simple installation: built-in gravity-sensing device, double keys, automatic induction left open / right open, no drilling and disassembly-free design is simple and more convenient to install.

Mechanical key: the use of exclusive core gear transmission technology, electronic and motor failure, electromechanical separation can be achieved when the traditional mechanical key unlocks.

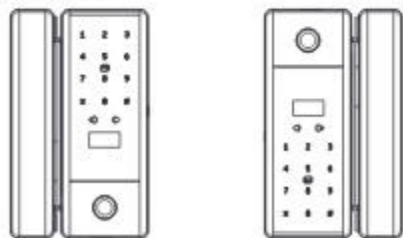
Panel Diagram

1. Display
2. Password & card swiping area
3. Semiconductor fingerprint head
4. Battery cover
5. Switch knob
6. Emergency power Type-c
7. One-key button for lock & unlock
8. Mechanical keyhole



Gravity Induction Automatic Direction Reverse Way

After installation, if the digital button and the screen display is reversed, the battery is removed for about 10 seconds and then re-powered to automatically detect left and right open.



Technical Parameters

Fingerprint speed : $\leq 0.3S$

False accept rate : $\leq 0.001\%$

False reject rate : $\leq 1\%$

Static power consumption : $\leq 120\mu A$

Fingerprint sensor : semiconductor biometric identification

Card type : M1, IC

Storage capacity : fingerprint 100 card and password 1000groups

Power supply : 4pcs 1.5V AA alkaline dry batteries

Emergency power supply : USB Type-C

Working temperature : $-25\sim+65$

Product weight : about 1.25kg

Door opening mode : applicable push or pull, induction left open/right open

Applicable door type : glass door, aluminum door with frame, wooden door, sliding door

Door type specification :

door gap 3 ~ 10mm

a). Frame-less door with the 8~12mm thick glass,

the 8mm glass needs to install the thickening plates.

b). Door with the 40-70mm thick frame.

(door gap 3~10mm)

Unlocking methods : fingerprint, password, card, temporary password Mechanical key unlocking (no key for framed door)

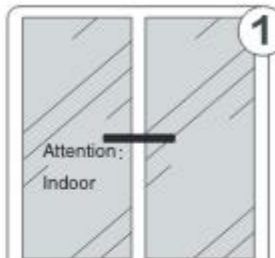
Optional : Bluetooth mini-program, Bluetooth attendance, RF Remote control, WiFi remote unlocking

Mechanical key unlocking: key inserted into the lock core hole, rotate 90° counterclockwise to unlock

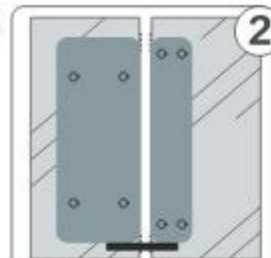
Key back to the horizontal position of the horizontal pull out

Colors : Matte black, space gray, champagne gold

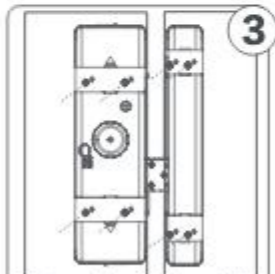
Frameless Glass Door Installation



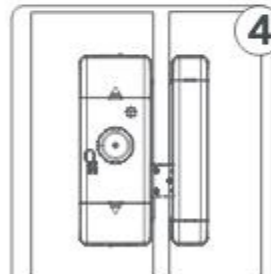
Wipe the glass clean and draw a horizontal reference line at the appropriate height



Peel off the adhesive backing on the board and stick it to the glass along the top of the horizontal reference line and press it firmly. **Note: The board must be stick in the indoor.**

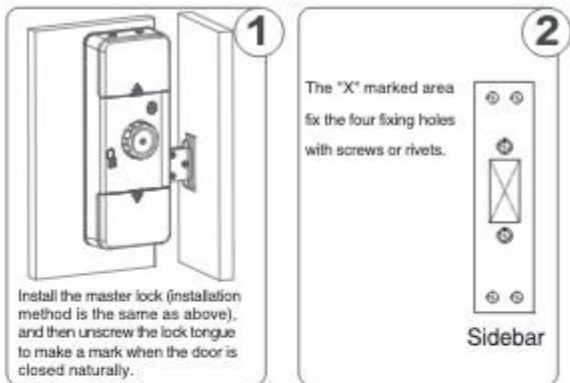


First push the U-shaped clip through the side of the glass door, and screw the main and secondary locks with 4 screws.

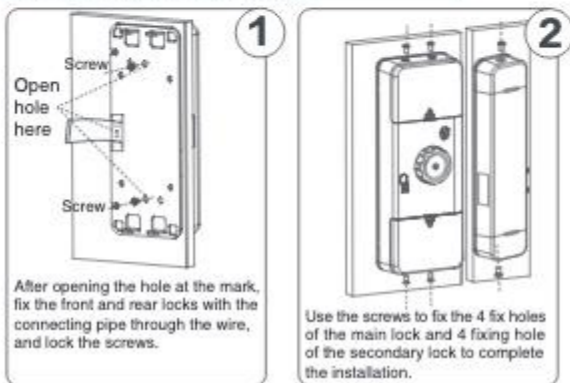


Cover the battery back cover and sub-lock back cover installation is complete.

Single Open(blade) Installation



Wooden doors, Aluminum and other Framed open door installation



Optional: TLock Setting Guide

Step 1: Search for "TLock" in Android play store or App store to download and install. Create a new account, you can register and login by email or cell phone number.



Scan code
download App

Step 2: Open the App and click "+" to select the door lock -- touch the key area of the smart lock and follow the App prompts to bind the administrator.
RF Remote control pairing: INPUT *80# on the lock -- enter the administrator password # -- long press any key remote control pairing complete.



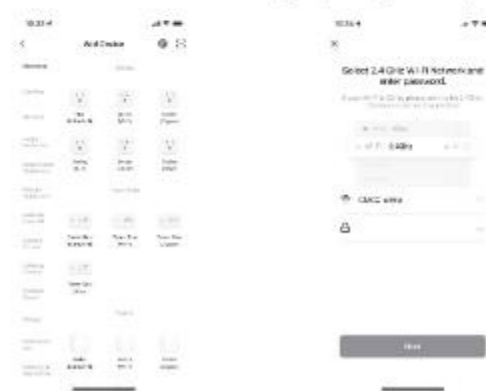
Optional: Tuya Smart WIFI Setting Guide

Step 1: Search for "Tuya Smart" in Android play store or App store to download and install. Create a new account, you can register and login by email or cell phone number.



Scan code
download App

Step 2: Open the App and click "+" to add device -- camera/lock -- lock WiFi -- Select 2.4Ghz, select WiFi and input password. Click Next.
Wake up door lock button panel -- press # to enter i door lock Settings -- press 2 System Settings -- press 3 to switch on wireless devices -- press 1 to turn on wireless devices -- Button "0" is blinking -- pairing is complete.



System setting guide

Initial status any unlock information can be unlocked

password is 6-14 digits, enter password + #

