

WDT100

**Porte imperméable de tourniquet de trépied
tourniquets d'acier inoxydable WDT100**



Access Control System



Fingerprint Recognition



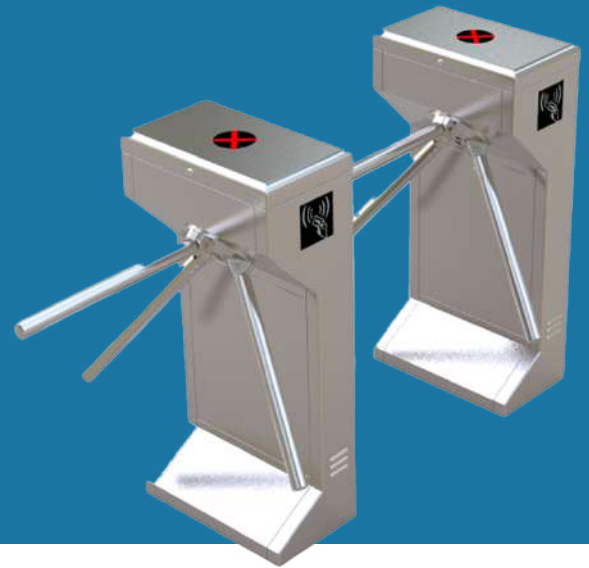
Drop-arm



Bi-directional



Mechanical Unlocking



Tripod turnstiles represent classic and safe way to protect your premises. They are widely used in various indoor environment applications. They fit perfectly as an economical option into the office buildings and other related application

Features

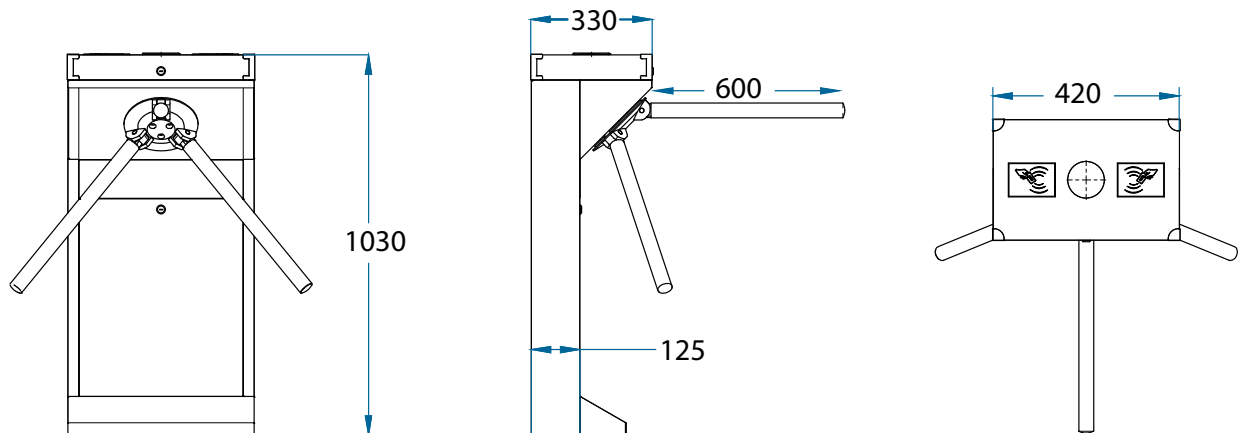
- Relay Signal to open.
- Automatic opening after emergency fire signal input.
- Anti-following : prevent illegal passing.
- Auto drop when power off , insure unblocked when accident.
- Standard electronic interface, remote control through internet which is also could connect variety card readers and receive relay signal to work.
- Diverse control mode optional, changeable to varying, convenient for your manage.
- Auto alert error function, comfort for user maintain and operate.
- Manual button or remote control ,Bi-directional passage.
- Open signal with memory or with out set function.
- Red and green light to show pass or stop.



Specifications

Power voltage :	AC110 / 220 / 50W	Open angle :	120°
Drive voltage :	AC12V / AC18V	Pass speed :	≤ 30 person/minutes
(Operation condition) :	-15 + 60	Structure :	SUS304 Stainless steel
Relative humidity :	95%	Open direction	Single and Double(optional)
Input signal :	12v DC	Work environment :	Outdoor and indoor
Working Current :	≤ 2000 mA	IP Degree :	IP68
Length of the bar :	600mm	Width of passage :	≤650mm
Service life :	≥5 million times	Machine sizes :	420*330*1030 mm

Dimensions (mm)



WDLINK