

WD10R

Radar Sensor



The anti-smashing radar WD10R is a new type of vehicle detector, which uses microwave broadband technology and high-speed digital signal processing technology.

It is applicable to vehicle supervision and detection at the entrance and exit of parking lot or underground garage and toll station.

It is an indispensable and important part of intelligent parking system and toll system. Compared with the traditional sense of land, it has the following characteristics and advantages.

Features

- Adopting 79GHz MMIC technology, the detection accuracy is high and the target is more stable
- Environmental adaptability design, equipment can adapt to a variety of use scenarios
- Bluetooth mobile phone connection, intuitive setting of various parameters applet, online debugging of radar, software upgrade
- It can identify multiple targets, not only vehicles, but also pedestrians, which can effectively prevent the brake rod from hitting people



- LED light is used to display the working status of radar, which is more intuitive
- Automatically adapt to the installation environment, with strong versatility
- The recognition range of the radar can be set, and the set configuration parameters can be automatically memorized
- The installation and maintenance of the radar is convenient, and it can be installed quickly by one person without damaging the ground
- It can adapt to various weather conditions and is not affected by electromagnetic interference, light, dust, rain and snow and other external environment

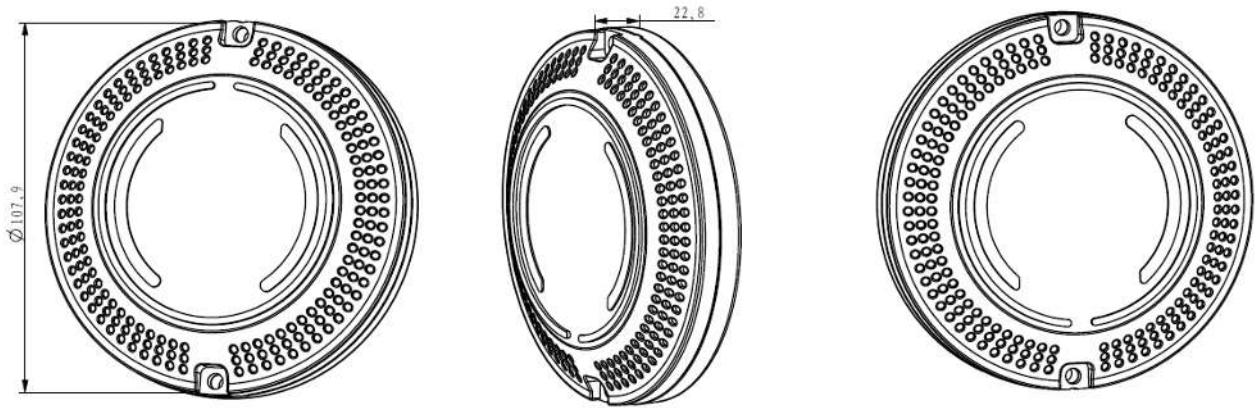
Specifications

Indicator Parameter	Data
working voltage	+9~+24V DC,
electric current	≤ 200mA@12V
Operating frequency range	77~80GHz
response time	<75ms
Support rod length (lane width)	1~6m (settable)
Anti-smashing area	Horizontal 0.5-1 m (settable)
Detection target	Vehicles, pedestrians
Commissioning mode	Bluetooth
Online update	Bluetooth
Horizontal view	±40°
Pitching angle of view	±15°
working temperature	-40°C~+85°C
Overall dimension	Φ 107.9mm × 22.8mm
Protection grade	IP66



WDLINK

Dimensions



WDLINK