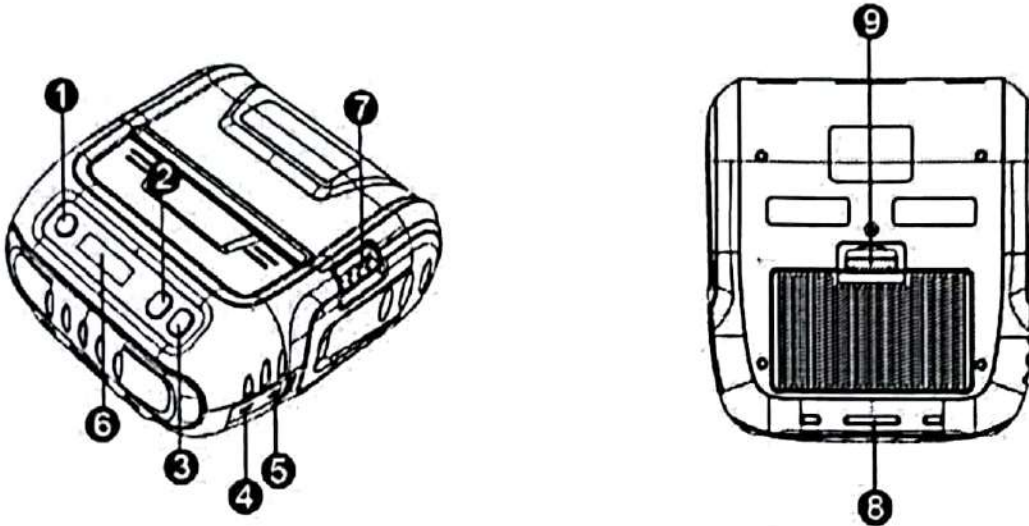


**WDLINK**

**Portable Thermal Printer**

**Manual Guide**

# Part names



## Key button

- ① Power key      ② Function key      ③ Feed key

## Interface

- ④ Charge port      ⑤ USB port

## Other

- ⑥ Display      ⑦ Paper case switch  
⑧ Hook      ⑨ Battery Clasp

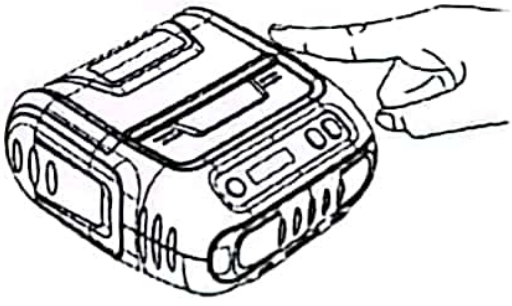
Printer Status	how to operate
Power on	press power key button for 3 seconds
Function key	press function key to select the categories and press Feed key to select subcategories
Power off	continually hit the power key twice.

### **Thermal Paper installation method is as follows:**

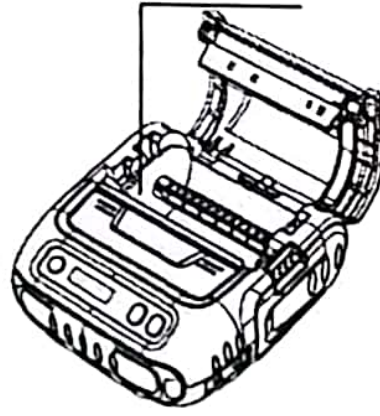
It's easy to install the roll paper, please see the way as below:

- ① Press the paper case switch button, open the cover.(image 1)
- ② When installing the stop plate, please note the mark L &R on it, and keep it with a 90 degree angle (image 2)
- ③ Input the paper as the correct position (image 3)
- ④ Pull out part of the paper, close the cover, make sure the two ends of case closed perfectly. (image 4)
- ⑤ Cut the surplus paper.(image5)

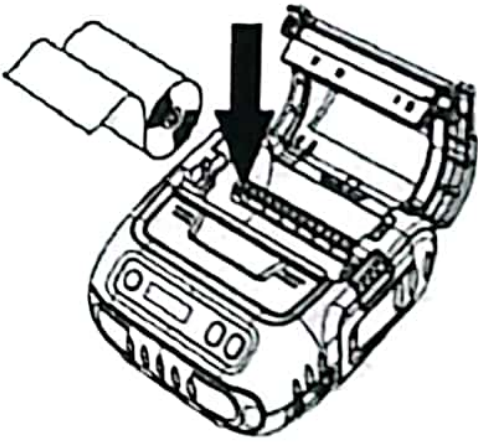
90° Small angle side up



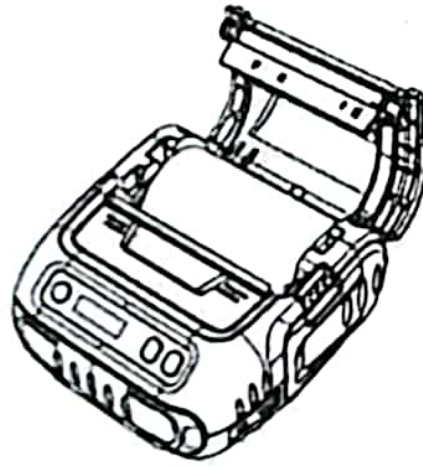
①



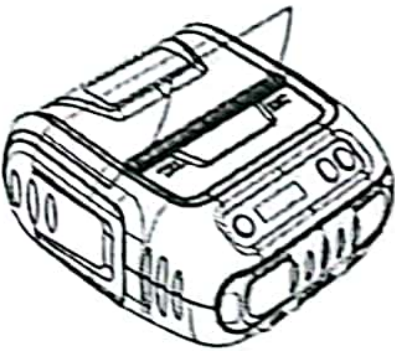
②



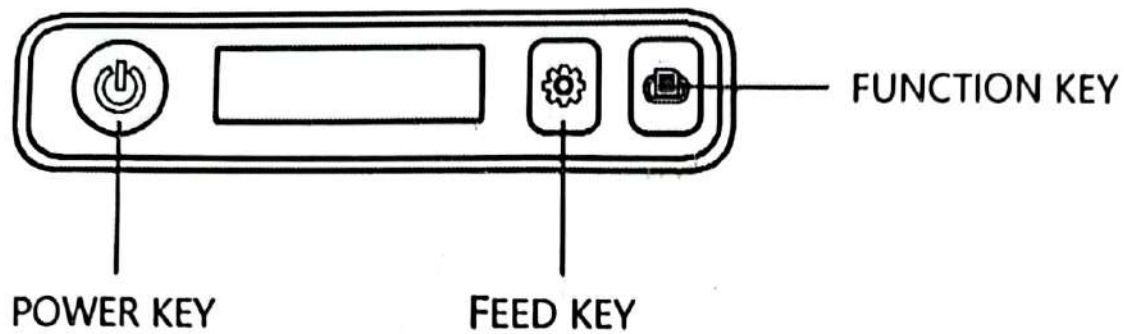
③



④



⑤



1. Long press the [power] key for about 2 seconds, turn on the printer, OLED display interface, as shown in the above figure.
2. Press and hold the e [function] key to enter the setting interface, and then press the [function] key, the screen will display successively; Paper type, command type, auto shutdown (sleep), print density, Printing speed, "printing Self test page/ printing product information /label self Test/ Reset, Sensor, line type, character set, code page, interface language.
3. Press the [Feed] key to change the subcategory; long press the [power] key to save the settings and return to the main interface.

### **Switch**

1. Power on the machine: press the power button for 2 seconds
2. Shut down: press the power button twice continuously to shut down



## Information about OLED displays

Print self Test Page/Print product information /label Self test/factory settings	Press[power key] to select different sub options
Print command	TSPL/ESC/CPCL
Auto shut-down	Never,30s,60s,90s,120s,150s,180s, shut down (start to calculate the time, When Bluetooth is connected, it will not shut down automatically.)
Printing density	Normal, Light
Printing speed	0,1,2,3,4,5,6,7,8(the higher the printing speed, the higher the quality)
Paper type	Label, receipt
Sensor	Reflection a, reflection B and reflection C (generally used for express bill)
Line type	Solid line/dotted line (this option is valid under CPCL)
Character set	GBK CodePage (select CodePage to adjust the code page option)
Interface language	Chinese, English, Portuguese

<b>DOUBT</b>	<b>ANSWER</b>
Why is it that when I print labels, I print out the wrong code?	Please use the TSPL instruction to print the label. Detailed Detailed description of menu bar settings.
Why when I print the ticket, the data has been sent, but the printer didn't respond?	Printing commands of general printing small ticket is ESC, and the printer needs to be adjusted to ESC.
Why does my print label not stay in Clearance?	Please check the height setting and printing on the software, Is the printing paper consistent. If so, please View the printer's menu bar setup command It's label paper.
The print interface displays update mode. What should I do?	Update mode is in rooting mode, Long press the power key to exit.
When the printer is half printed, Bluetooth is automatically disconnected, What should I do?	Bluetooth auto disconnect, is the printer does not power enough? please charge!
The command is adjusted correctly, the data is sent but the printer is still no response? Or the printer responds, but Print right or left blurred ?	Please check whether the roller stop is placed correctly, Refer to point [3,4]

<b>FAULT PHENOMENON</b>	<b>FAULT REASONS</b>	<b>SOLUTIONS</b>
Unstable charging	Poor connection of adapter interface.	Please check whether the adapter interface is connected stably.
when printing, only paper feed, no Data printing out.	Reverse loading of printing paper.	Please install the printing paper in another direction.
Printer printing blur.	Printer does not clean for a long time cause the printer head to be contaminated.	Please clean the printer head.
	Poor printing consumables.	Please set the printing speed and density. Please use our standard printing consumables.
Printing labels Trace fuzziness in several months or even weeks	Poor printing consumables.	Please use high quality consumables.
Printer auto shutdown	Adapter not powered or set automatic shutdown	Please check whether the power supply ends of adapter AC220V and DC9V are in good contact, or set the automatic shutdown item of menu bar as never.