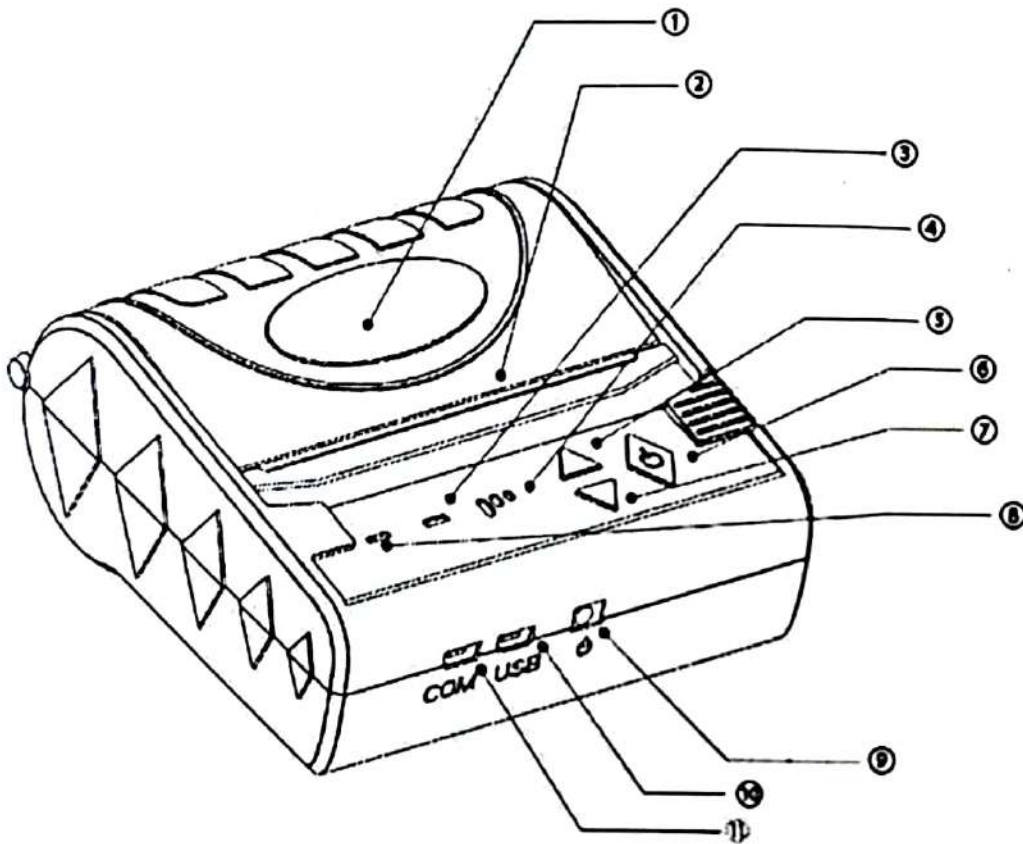


WDLINK

Portable Thermal Printer

Manual Guide

Part names



Key button

- ⑥ Power Button
- ⑦ Feed Button
- ⑤ Mode Button

Interface

- ⑩ USB port
- ⑪ COM(RS232) port

Other

- ① Paper house
- ② Jagged saw
- ③ Error indicator
- ④ Battery indicator
- ⑧ Charge indicator
- ⑨ Power port(9VDC)

Notice:

Thanks for using our Portable Printer!

To ensure the safety of storage and transportation, we stick a insulating tape on the metal of the Li-Ion battery. Please kindly take off the insulating tape before its firstly turning on.



Insulating tape

Warm tip: Please seal the battery and pay attention to the garbage classification when discarding it to avoid the environment pollution.

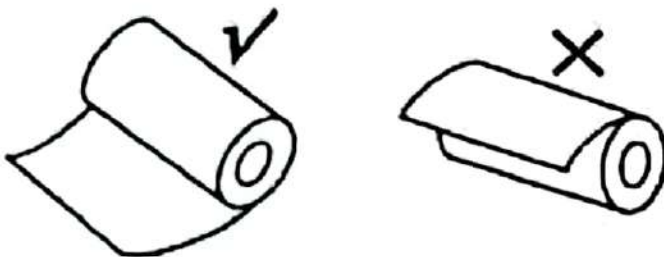
The installation of the paper roll

The printer use 80MM thermal paper, and adopt to easy paper loading.

So the paper is very convenient install. Paper diameter Max 40mm.

Thermal paper installation method is as follows:

- (1) Open the printer top cover.
- (2) Thermal paper as follow graph to put into paper storehouse.
- (3) Put out a little of the paper outside printer, then close the top cover.
- (4) Use paper sawtooth tear off redundant paper.



Button Operating Instructions

■■■■ (Blue Light)	ERROR (Red Light)	CHARGE (Red Light / Blue Light)	Printer Status
OFF	OFF	OFF	Printer Close
Flash	OFF	OFF	Printer dormant
ON (Always)	OFF	OFF	Printer open and have paper
ON (Always)	Flash	OFF	Printer Open , without paper
		CHARGE (Red Light)	Charged with Battery
		CHARGE (Blue Light)	Full of Battery
Display 1 or 2 shelf			Low power of Battery
Hold down power for 3 seconds			Printer OPEN/OFF

<p>Under power on, the paper feeding begins when press 【FEED】 button</p>	<p>the printer paper feed</p>
<p>Power off the printer, then hold down the 【FEED】 button and press the power button at the same time. Wait 2 seconds ,then loosen the 【FEED】 button, the current setting will be printed out.</p>	<p>The printer Self test</p>
<p>Power off the printer, then hold down the 【FEED】 button and press the power button at the same time. Wait until the power indicator & 【ERROR】 led are both on, and then 【ERROR】 led goes off, then loosen the 【FEED】 button, the language setting status will be printed out.</p>	<p>Transformation in both English and Chinese</p>
<p>Power off the printer, then hold down the 【FEED】 button and press the power button at the same time. Wait until the power indicator & 【ERROR】 led are both on, and then 【ERROR】 led goes out, after, 【ERROR】 led goes on again ,then loosen the 【FEED】 button, the density setting status will be printed out. (It has three levels setting for printing density, it is a circle Low levelMiddle levelHigh levelLow level..., Please switch the density status by repeating operation presented above.)</p>	<p>Set printing density</p>
<p>Power off the printer, hold down the 【MODE】 button and press the power button at the same time. Wait until the power indicator & 【ERROR】 led are both on, and then 【ERROR】 led goes out, then loosen the 【MODE】 button. The printer turns into the hexadecimal printing mode and print the presentation.Way to quit hexadecimal printing : The way to quit hexadecimal printing mode is switch off the printer .</p>	<p>Hexadecimal printing</p>

Operating Manual for Android OS

Part 1:

Scan the below QR code to download the Android app:



Download Password:1234

Android BT APP

Part 2: Operation instructions

1. Open the Android APP

If you installed a Bluetooth demo,click "POSPrinter-BT"

If you installed a USB demo,click "POSPrinter-USB"

If you installed a demo of network port or WIFI,click "POSPrinter-WIFI"



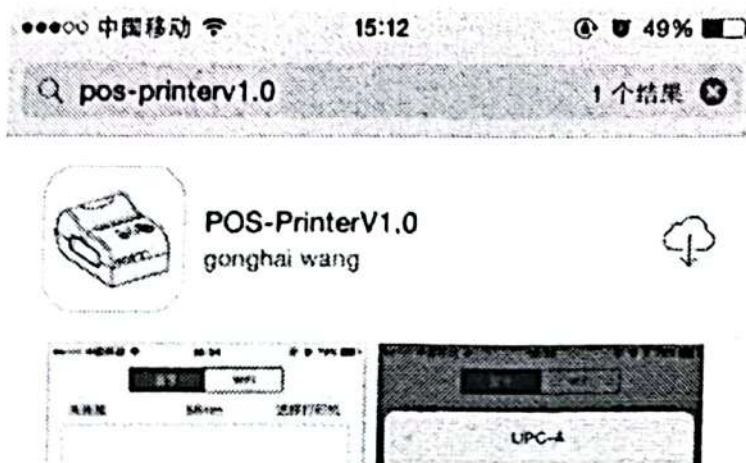
2. After opening the DEMO,you need to connect the printer. When the port what you connected is Bluetooth Click "Search and connect Bluetooth printer".

3. If you need to search for new printers again,click"Scanning Device'and select the printers you want to add.

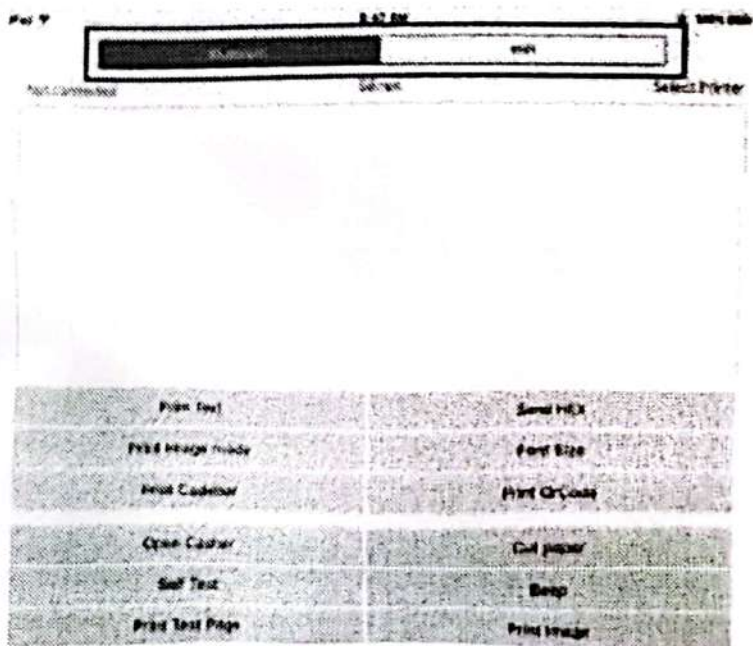
4. Enter the pairing code,the default is 1234 or 0000,click"OK".

Operating Manual for IOS APP

1. Download the Test Tools "POS-PrinterV1.0" from App Store, as below:



2. Turn on the Bluetooth setting of IOS device, then click "POS-Printer"
3. Into the App of "POS-Printer", select the paper width
4. Select the way of communication of printers, "Bluetooth" or "WIFI"
5. If connect with Bluetooth, then you can click "Select Printer" first, you will search the "Bluetooth Printer" (the default name of printer is Bluetooth Printer), click it to be connected.



Cleaning of printer head

1. When the printer has the following conditions, you should clean the printer head:

- ① The printer does not print clearly and the thermal paper is Ok.
- ② The printer Print pages lengthways is not clear
- ③ It's getting too noisy while feeding paper or printing.

Printer head cleaning steps are as follows:

1. Power off the printer and open the paper room cover. Remove the thermal paper roll.
2. If the printer just finished printing, please wait for the print head to cool down.
3. With a soft cotton cloth dipped in ethanol (please make sure there is no Dripping), wipe the thermal printer head gently and remove any dust or stains.
5. Wait for the complete evaporation of any ethanol, then place the thermal paper roll back in the printer and close the paper room cover, then print a test page.

Notes:

- When the printer maintenance must ensure that the power is shut down
- Hands or other metal tools away from the surface of the printer head, do not use tweezers to scratch the surface of the printer head and other sensitive parts.
- Do not use gasoline, acetone and other organic solvents for printer head cleaning.